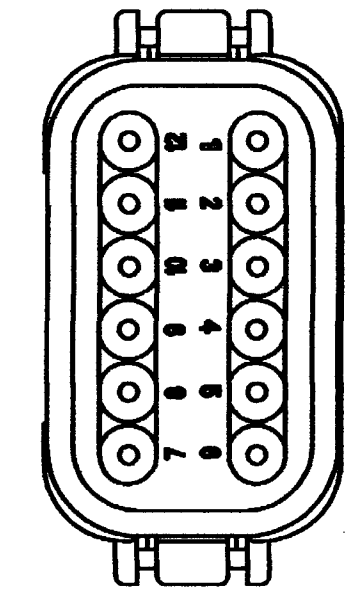
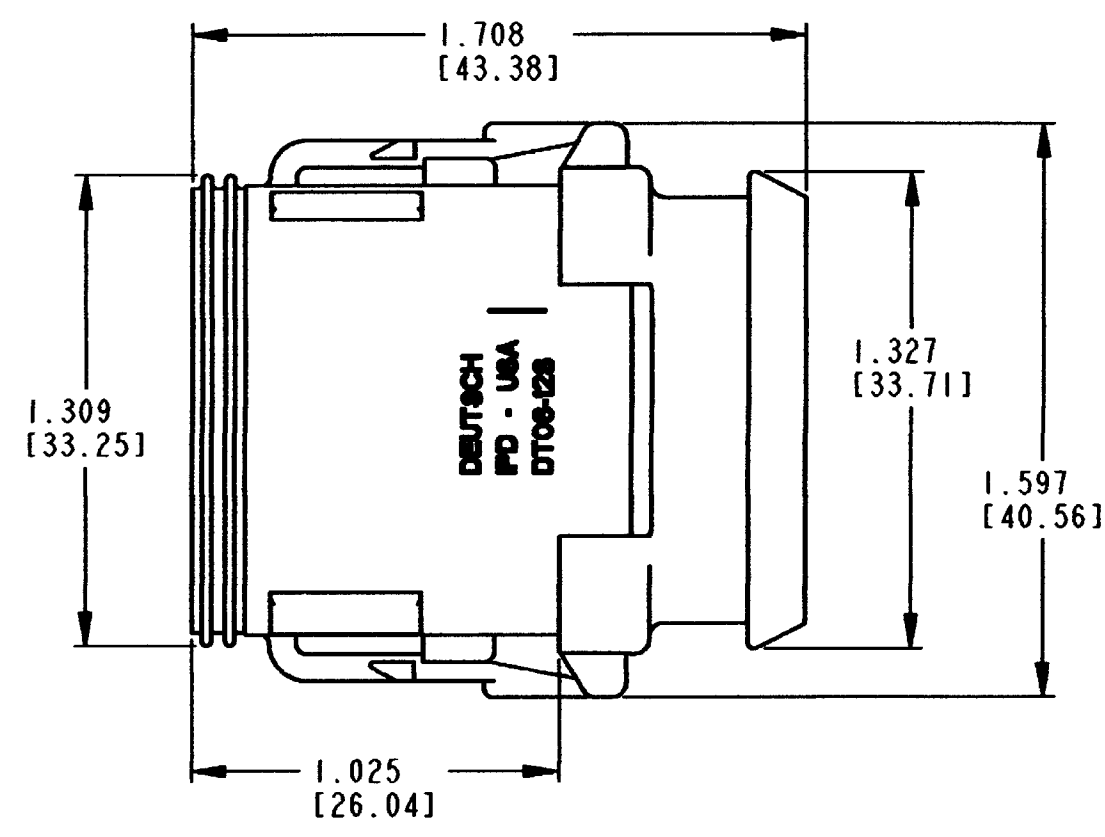
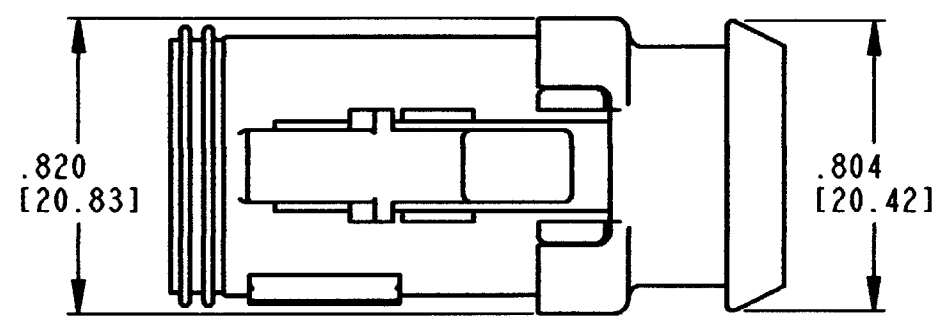
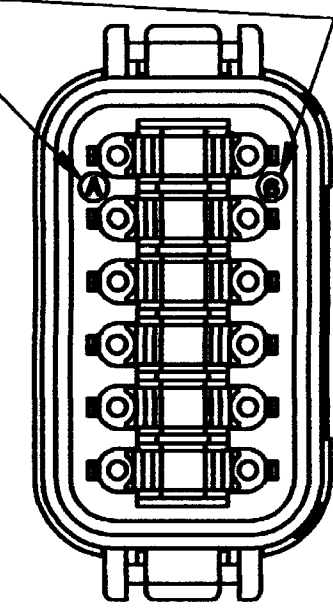


REV
C DT06-12SA-E008

REVISIONS			
SYM	DESCRIPTION	DATE	APPROVED
NC	NEW RELEASE PER E.O. P15592	4/29/98	R.D.R.
A	REVISED PER E.O. P16823	8/28/00	R.D.R.
B	REVISED PER E.O. P17333	8/20/01	R.D.R.
C	REVISED PER E.O. P19452	3-1-07	ADR



DATE CODE: YEAR IS REPRESENTED BY THE LAST NUMERICAL DIGIT. EX: 6 = 2006
MONTH IS REPRESENTED BY SEQUENTIAL ALPHA CHARACTERS. EX: A = JANUARY



- NOTES:
- DIMENSIONS ARE IN INCHES [MILLIMETERS].
 - DIMENSIONS ARE $\pm .025$ [.63] UNLESS OTHERWISE SPECIFIED.
 - CONSULT FACTORY FOR CONTACT SPECIFICATION AND APPLICATION.
 - FOR MORE INFORMATION, SEE ENVELOPE DWG. 0425-017-0000 AND 0425-015-0000
 - PART MATES WITH RECEPTACLE PART NUMBER DT04-12PA-**** (**** = ALL MODIFICATIONS).

SIGNATURE & DATE	
DR	A. MALAGON 11 JAN 07
CHK	<i>[Signature]</i> 12/13/07
PE	<i>[Signature]</i> 2/1/07
APPD	<i>[Signature]</i> 2-28-07
SCALE	NONE WT

12 WAY PLUG
-E008 MOD.
KEY ARR. -A-
DT SERIES

ENVELOPE

EP	MATL. CODE
The Deutsch Company DEUTSCH I.P.D. 3850 INDUSTRIAL AVE. HEMET, CALIF. 92545	
B	DT06-12SA-E008
DWG SIZE	CODE 11139 SHEET 1 OF 1